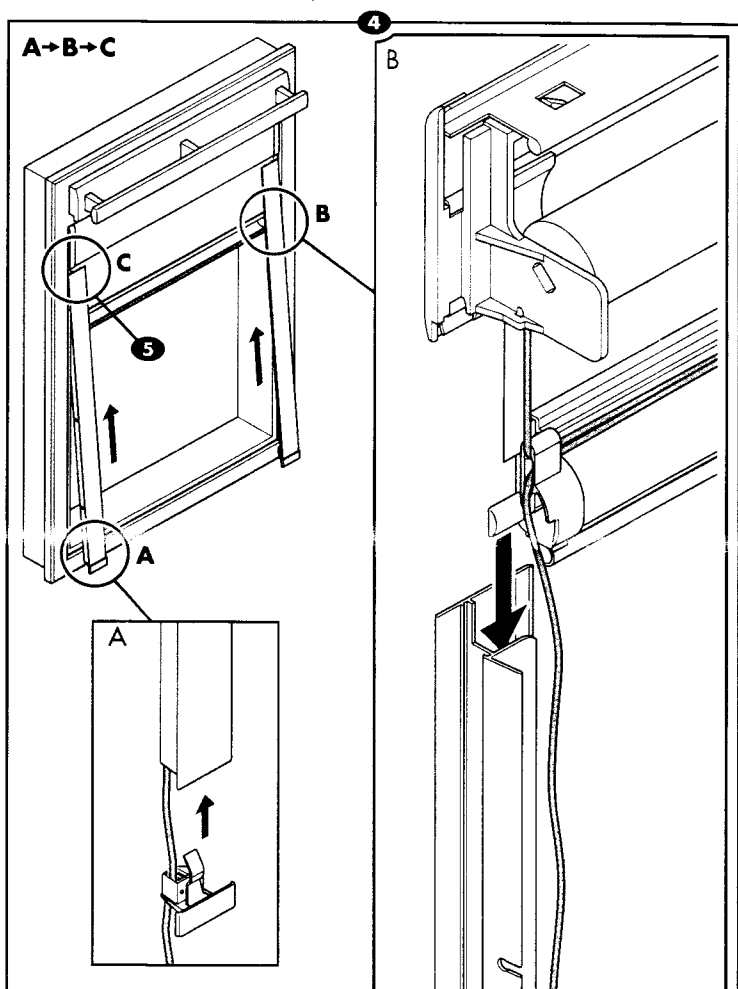
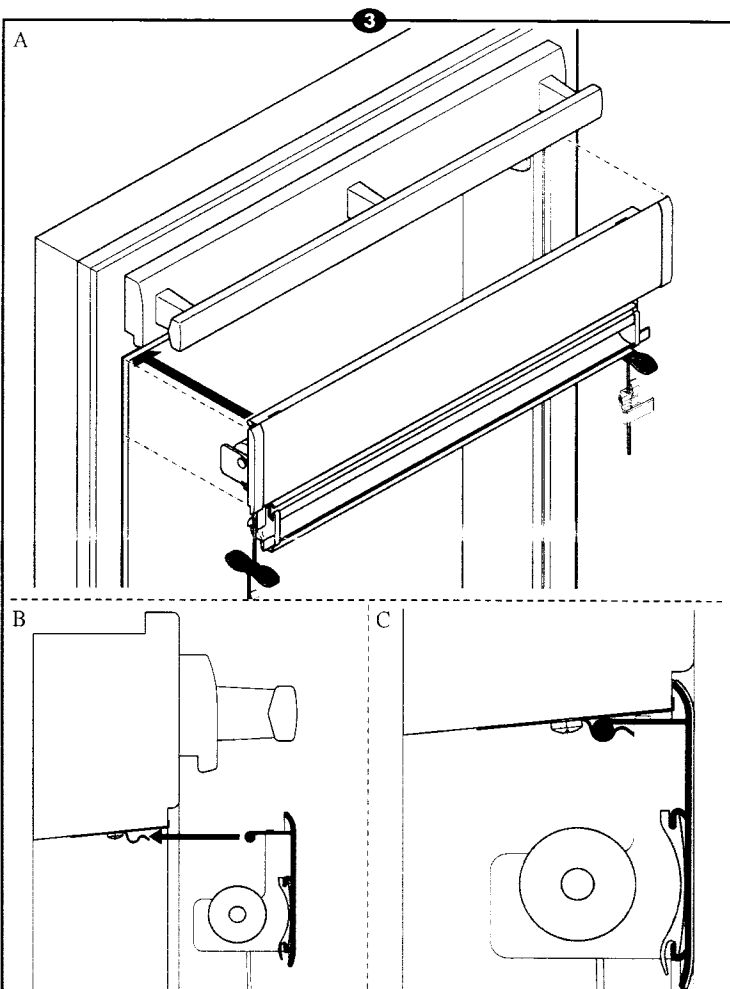
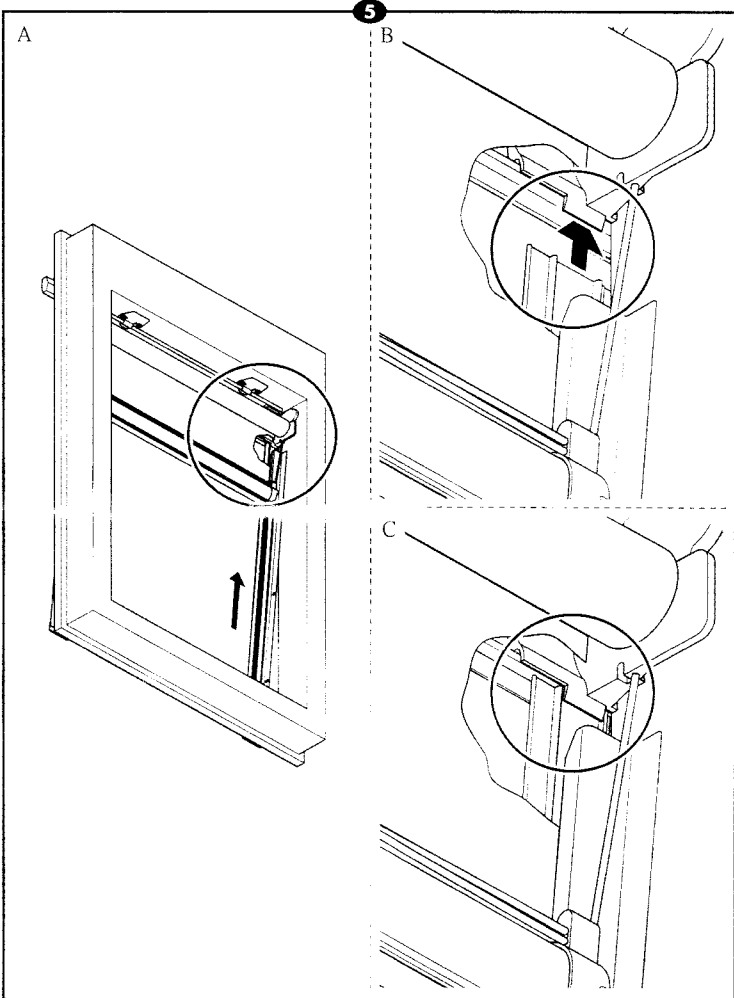
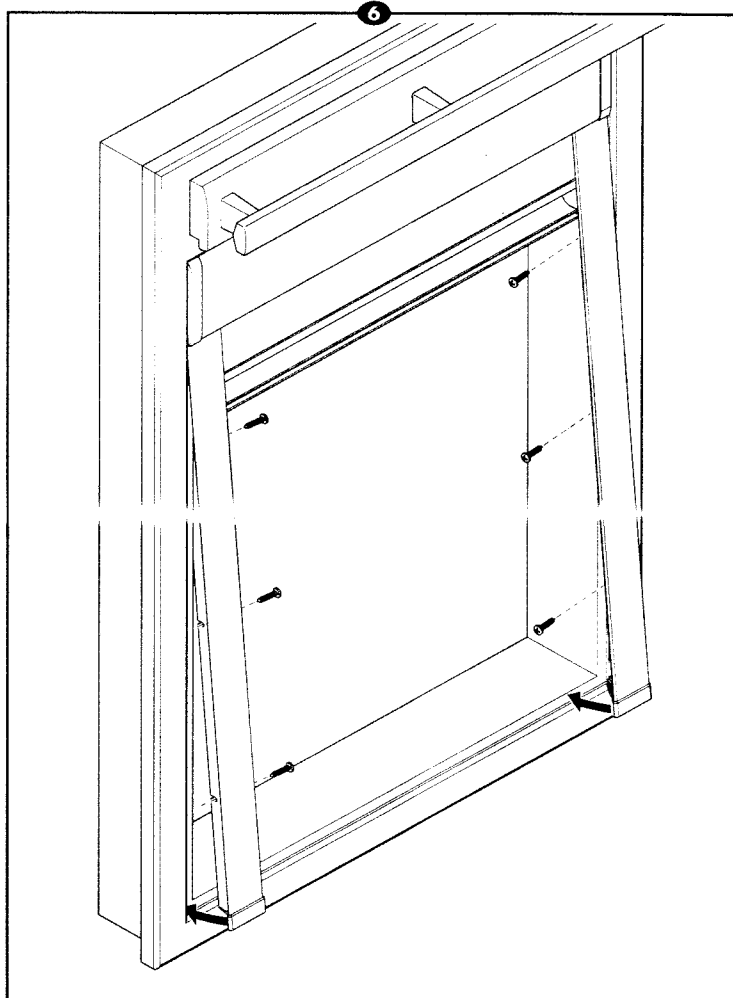


- Peel adhesive backing on fascia bracket.
 - Place fascia bracket into position as per diagram 2 using the sash window edge to align the bracket.
 - Secure into position with screws supplied.
 - Repeat process for all fascia brackets.
- Note: the quantity of fascia brackets will vary, depending on window size.





• Slide top of side guide into position behind fascia.



- Rotate bottom of side guide to fit against bottom of window.
- Secure side guide with screws supplied.
- Repeat points 4-6 for both side guides.

