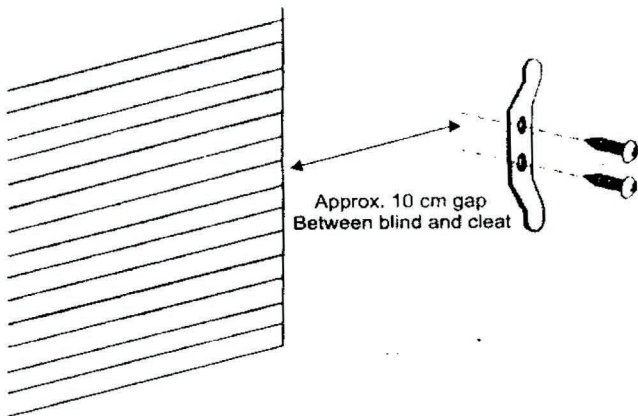


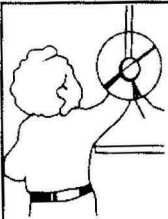
**STEP THREE : Attaching Headrail to Brackets**

- Remove Wing Nuts and Washers from the bolts on the bracket.
- Align slits of headrail with bolts on the bracket and slide headrail up.
- Secure blind to the bracket using the washers and wing nuts.



**STEP FOUR : Installing Cord Cleat**

Position the cord cleat about 10 cm out from the right hand side of your Sunweave™ blind and around half way up the height of the blind. Mark position through the holes and secure the cord cleat with the cord cleat screws.



**WARNING!**

To avoid the risk of strangulation, it is advisable to keep all pull cords out of the reach of children. Safety measures include :  
Installation of safety devices such as clamps and cleats that reduces the accessibility of the cord.  
Move cots and furniture away from the window to avoid accessibility to the cord.